



GB-ML

MonoBlock industrial burners with mechanical or electronic cam, available in heating outputs from 500 to 17,000 kW.

General Features

- Compliant with EN 676 gas train requirements and available with Low NOx executions according to EN 676 / EN 267.
- Designed for installation on hot water boilers, steam boilers, warm air generators, dryers, diathermic oil generators, and industrial thermo-process equipment.
- Is designed to operate with different kind of standard fuels like gas, diesel, heavy oil or dual fuel system. On demand, it is possible to operate with special fuels as bio-gas, ethanol, waste gas, coal gas and many others.
- On request, multi-fuel versions are also available with simultaneous operation.
- The modular construction concept provides a wide range of customization options to suit any installation requirement.
- Can be equipped with ETC or LAMTEC control systems and associated burner peripherals, allowing the integration of advanced functions such as O₂/CO control, flame monitoring, servomotor control, HMI operation, inverters, sensors, and communication interfaces for connection to plant and management systems.
- On all versions the modulation kit (Sensor + PID) is available, as well as control with external 3-point or 4-20mA signal.
- Dedicated flame disk design, depending on the fuel that is burned, in order to grant the optimal turbulence and perfect combustion values.

Complete customization

Complete customization at the technical and layout level includes:

- EM version with electronic control box and modulating system
- O₂ and O₂/CO control with efficiency calculation
- Frequency converter operation
- Separate or on-board control panel
- Plant Master for integrated boiler-burner management through a single interface
- Fuel flow meters for consumption monitoring
- Ex-d flame detectors and Ex-d servomotors
- Explosion-proof execution according to ATEX regulations

Burner body

- Powder-coated steel or aluminum body construction guarantees robustness and ease of use.
- High quality and heat resistant steel for best wear and heat resistance.
- Free from plastic components, Ideal for heavy duty applications
- Possibility of gas train installation from left or right side as standard according to gas piping line
- Easy maintenance thanks to wide opening over the combustion group
- Rear flame viewing port
- Soundproof air intake cover
- Hinged versions available on demand

Fan

Combustion air fan is available and customizable in accordance to installation layout and technical specification, with reverse blade design for reduced noise and inverter option across the range.

Combustion head

- Combustion head and flame stability disk in stainless steel
- Dedicated combustion head design according to burner size and fuel type
- Direct ignition for diesel oil and heavy oil versions
- Low NO_x executions available with internal recirculation or external FGR system

Gas Train

- Gas filter
- Main gas Valve with actuators
- Minimum gas pressure switch
- Maximum gas pressure switch (The maximum gas pressure switch is installed on the gas flow adjustment butterfly on burner board)
- it is possible to manufacture gas ramps in accordance with different customer specifications for any application

On demand

- ✓ Anti-Vibrating joint
- ✓ Ball Valve
- ✓ Gas pressure reducer
- ✓ Safety shut off valve
- ✓ ATEX execution
- ✓ IP65 execution

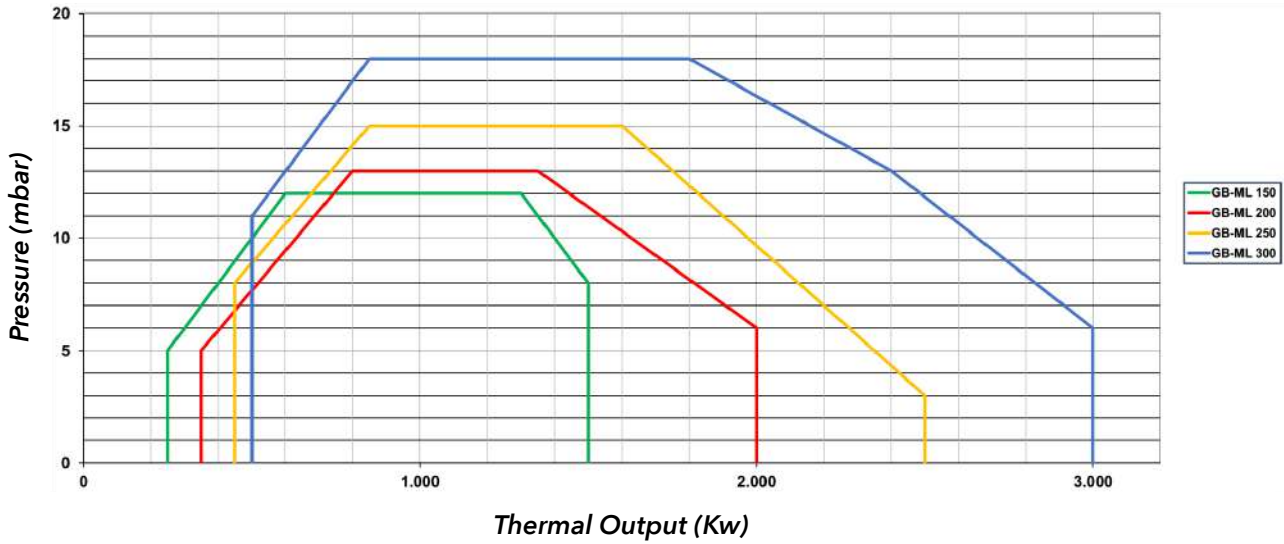
If you need further information, a quote or advice for a project, contact us:

✉ info@innoburn.com

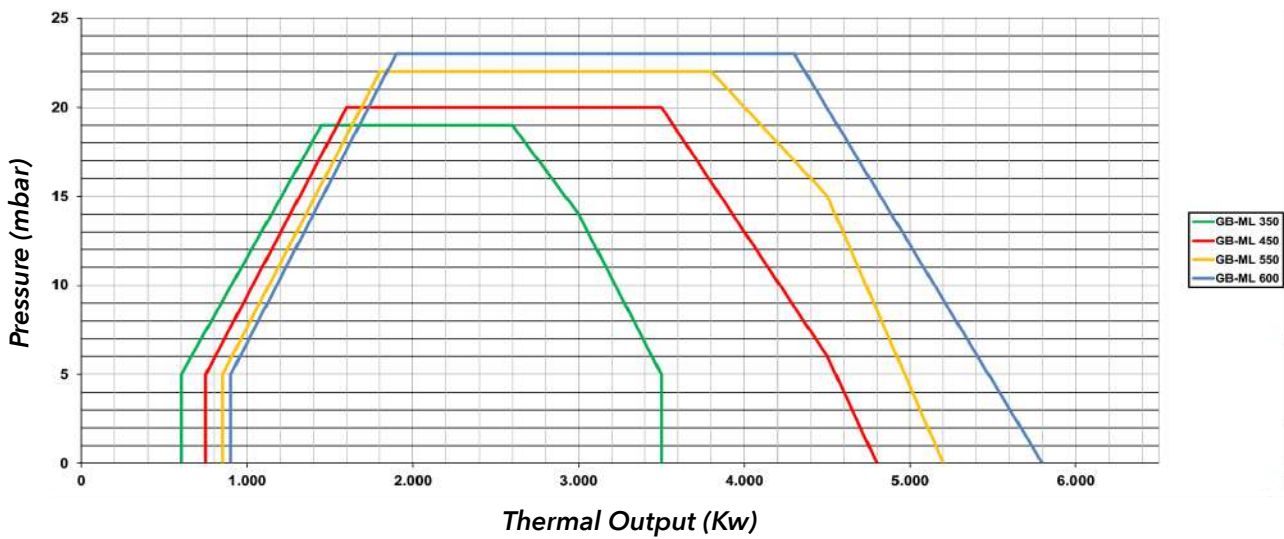
🌐 www.innoburn.com

InnoBurn
Customized Combustion Solutions

GB-ML 150 - 200 - 250 - 300



GB-ML 350 - 450 - 550 - 600



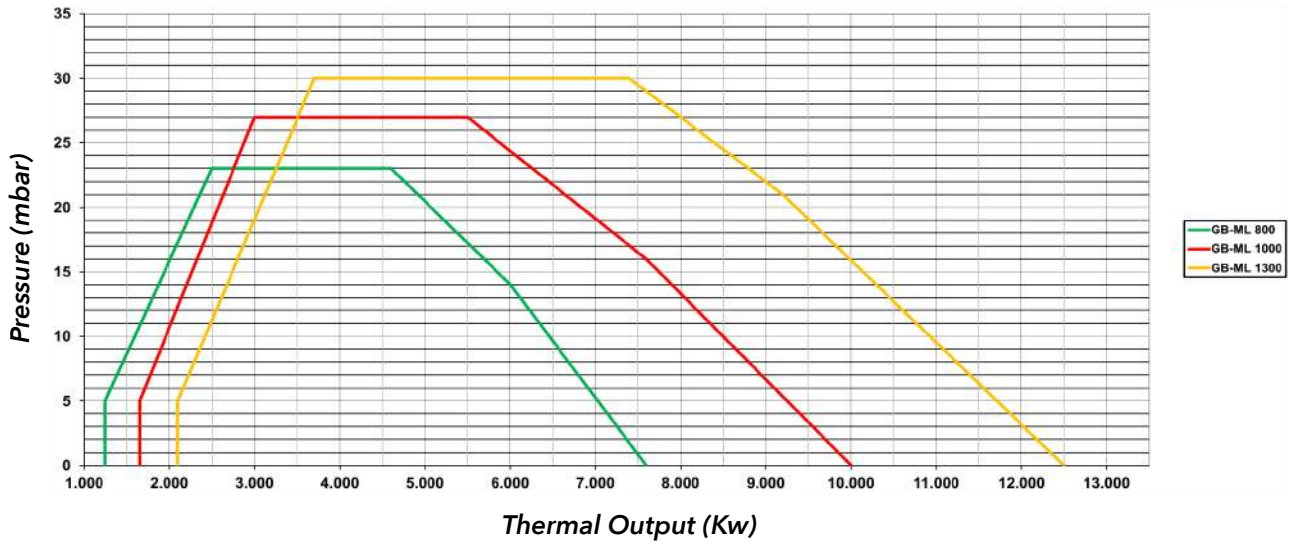
If you need further information, a quote or advice for a project, contact us:

✉ info@innoburn.com

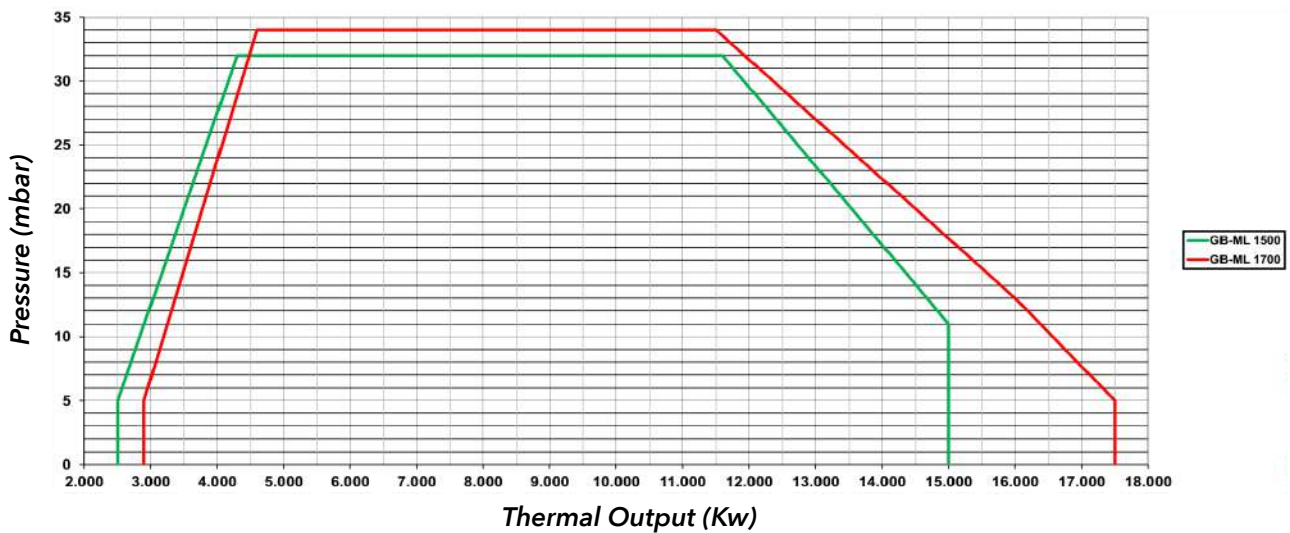
🌐 www.innoburn.com



GB-ML 800 - 1000 - 1300



GB-ML 1500 - 1700



If you need further information, a quote or advice for a project, contact us:

✉ info@innoburn.com

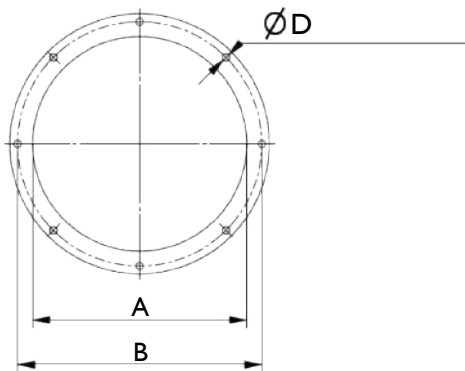
🌐 www.innoburn.com



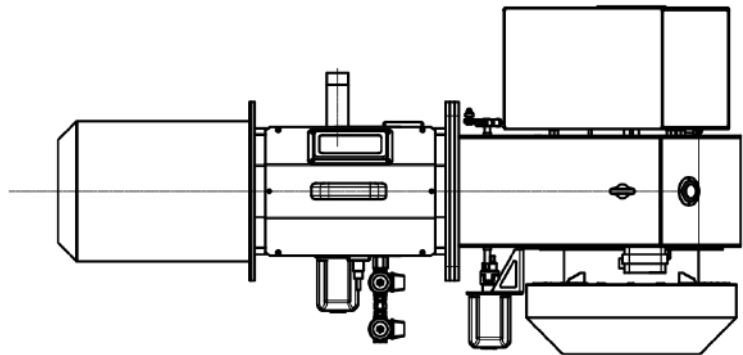
Model	A	B	ØC	ØD	F	L	P	Q	R-(EM)	R-(MC)	V	X**	Z	E	E	E
	mm	mm	mm	Type×mm	mm	mm	mm	mm	mm	mm	mm	mm	mm	1"1/2	2"	DN 65
GB-ML 150 G	250	305	240	M12 × 50	198	475	195	441(490*)	356	475	1,078	400	1,478	295	307	357
GB-ML 200 G	250	305	240	M12 × 50	198	475	195	441(490*)	356	475	1,078	400	1,478	295	307	357
GB-ML 250 G	250	305	240	M12 × 50	198	475	195	441(490*)	356	475	1,078	400	1,478	295	307	357
GB-ML 300 G	290	356	276	M12 × 50	193	475	195	441(490*)	356	475	1,078	400	1,478	312	324	374

* Version with inverter on board the machine

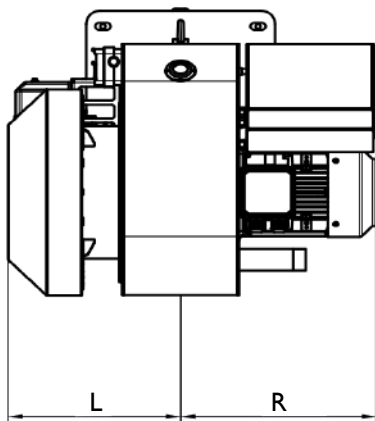
**Standard version. Custom lengths available on request.



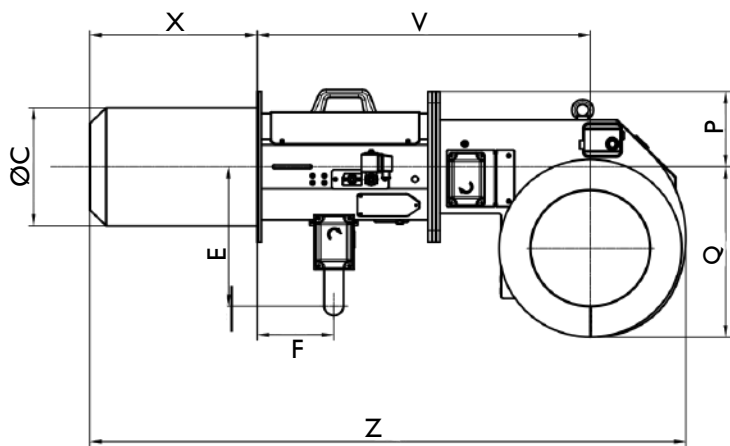
Flag Connection



Top View



Rear View



Side View

If you need further information, a quote or advice for a project, contact us:

✉ info@innoburn.com

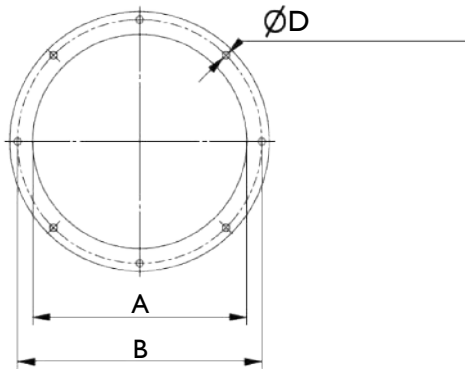
🌐 www.innoburn.com

InnoBurn
Customized Combustion Solutions

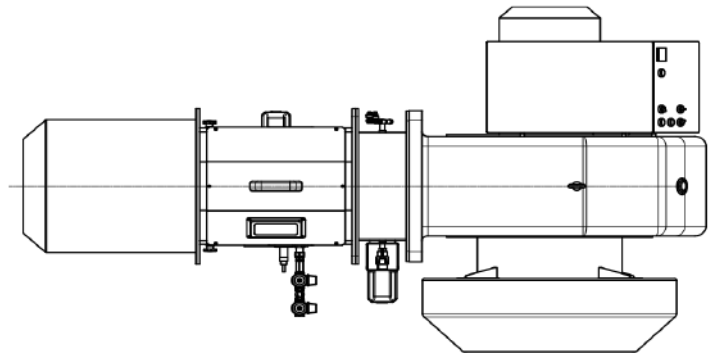
Model	A	B	ØC	ØD	F	L	P	Q	R-(EM)	R-(MC)	V	X**	Z	E	E	E	E	E	E	
	mm	mm	mm	Type×mm	mm	mm	mm	mm	mm	mm	mm	mm	mm	1"1/2	2"	DN 65	DN 80	DN 100	DN 125	DN 150
GB-ML 350 G	320	356	306	M12 × 50	193	515	310	600	490	534	1,331	500	1,831	400	351	391	421	—	—	—
GB-ML 450 G	320	396	306	M12 × 50	193	515	310	600	490	534	1,331	500	1,831	400	351	391	421	—	—	—
GB-ML 550 G	370	466	356	M12 × 50	233	515	310	600	490	534	1,354	500	1,854	440	391	431	461	461	—	—
GB-ML 600 G	370	466	356	M12 × 50	233	515	310	600	490	534	1,354	500	1,854	440	391	431	461	461	—	—
GB-ML 800 G	440	536	426	M14 × 50	253	662	285	723	612	612	1,617	500	2,117	—	515	555	496	561	627	—
GB-ML 1000 G	440	536	426	M14 × 50	253	662	285	723	612	612	1,617	500	2,117	—	515	555	496	561	627	—
GB-ML 1300 G	500	602	486	M14 × 50	308	751	325	723	612	612	1,729	500	2,229	—	—	605	546	611	677	—
GB-ML 1500 G	560	662	546	M14 × 50	319	842	355	778	662	662	1,721	500	2,221	—	—	664	664	664	724	794
GB-ML 1700 G	560	662	546	M14 × 50	319	842	355	778	662	662	1,721	500	2,221	—	—	664	664	664	724	794

* Version with inverter on board the machine

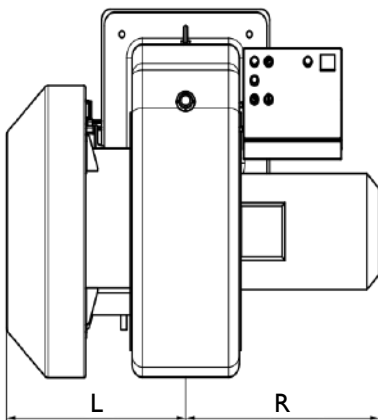
**Standard version. Custom lengths available on request.



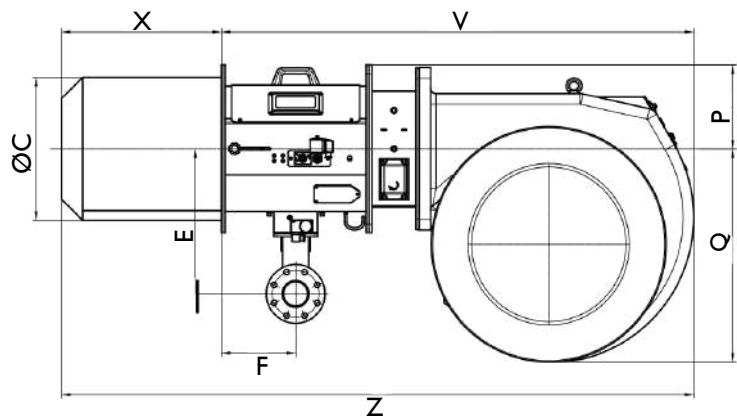
Flag Connection



Top View



Rear View



Side View

If you need further information, a quote or advice for a project, contact us:

✉ info@innoburn.com

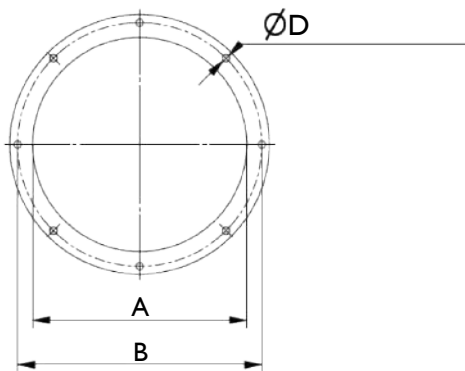
🌐 www.innoburn.com



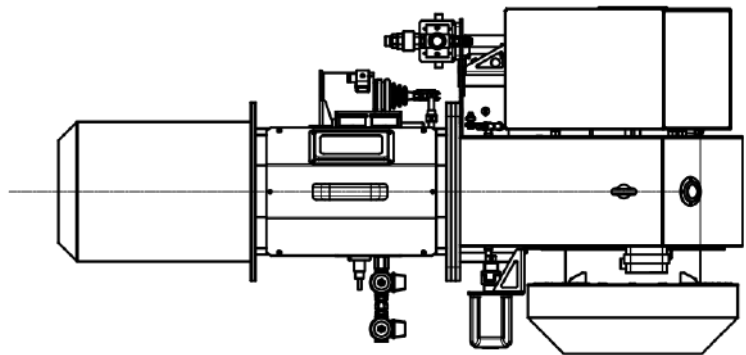
Model	A	B	ØC	ØD	F	L	P	Q	R-(EM)	R-(MC)	V	V*	X**	Z	Z*
	mm	mm	mm	Type×mm	mm	mm	mm	mm	mm	mm	mm	mm	mm	mm	mm
GB-ML 150 D	250	305	240	M12 × 50	198	475	195	610	356	475	1,078	1,368	400	1,478	1,768
GB-ML 200 D	250	305	240	M12 × 50	198	475	195	610	356	475	1,078	1,368	400	1,478	1,768
GB-ML 250 D	250	305	240	M12 × 50	198	475	195	610	356	475	1,078	1,368	400	1,478	1,768
GB-ML 300 D	290	356	276	M12 × 50	193	475	195	610	356	475	1,078	1,368	400	1,478	1,768
GB-ML 350 D	320	356	306	M12 × 50	193	515	425	685	490	534	1,331	1,640	500	1,831	2,140
GB-ML 450 D	320	396	306	M12 × 50	193	515	425	685	490	534	1,331	1,640	500	1,831	2,140
GB-ML 550 D	370	466	356	M12 × 50	233	515	425	685	490	534	1,354	1,672	500	1,854	2,172
GB-ML 600 D	370	466	356	M12 × 50	233	515	425	685	490	534	1,354	1,672	500	1,854	2,172

* Version with inverter on board the machine

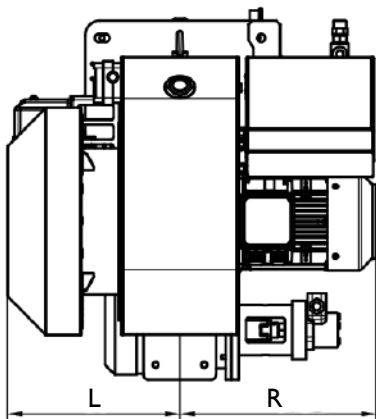
**Standard version. Custom lengths available on request.



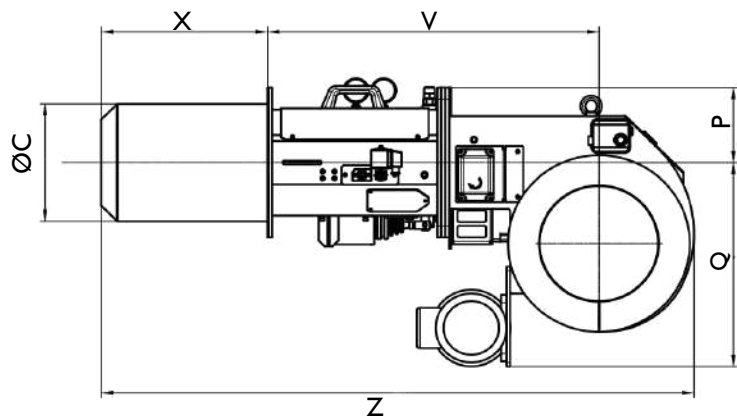
Flag Connection



Top View



Rear View



Side View

If you need further information, a quote or advice for a project, contact us:

✉ info@innoburn.com

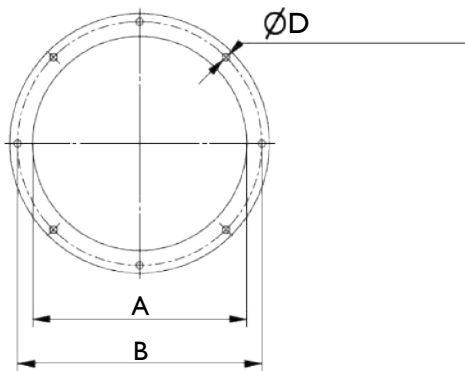
🌐 www.innoburn.com

InnoBurn
Customized Combustion Solutions

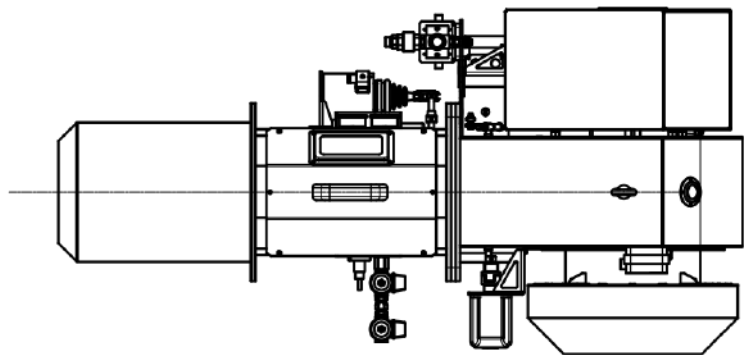
Model	A	B	ØC	ØD	F	L	P	Q	R-(EM)	R-(MC)	V	V*	X**	Z	Z*
	mm	mm	mm	Type×mm	mm	mm	mm	mm	mm	mm	mm	mm	mm	mm	mm
GB-ML 800 D	440	536	426	M14 × 50	253	662	461	775	612	612	1,617	1,917	500	2,117	2,417
GB-ML 1000 D	440	536	426	M14 × 50	253	662	461	775	612	612	1,617	1,917	500	2,117	2,417
GB-ML 1300 D	500	602	486	M14 × 50	308	751	477	775	612	612	1,729	2,024	500	2,229	2,524
GB-ML 1500 D	560	662	546	M14 × 50	319	842	521	792	662	662	1,721	2,016	500	2,221	2,516
GB-ML 1700 D	560	662	546	M14 × 50	319	842	521	792	662	662	1,721	2,026	500	2,221	2,526

* Version with inverter on board the machine

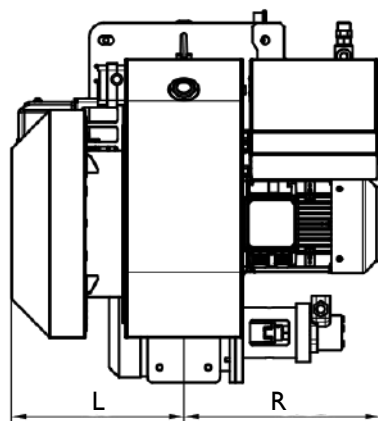
**Standard version. Custom lengths available on request.



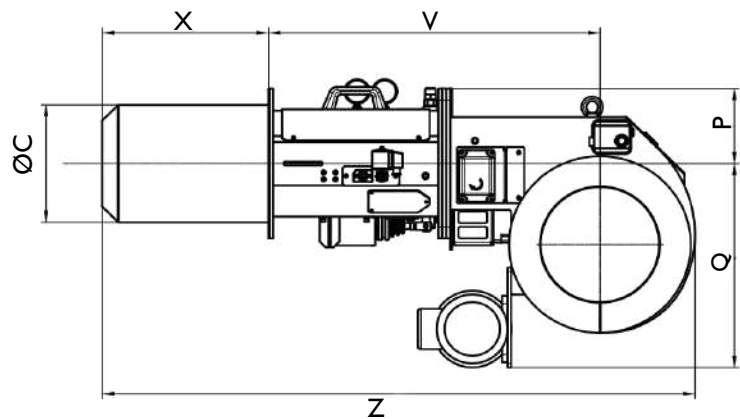
Flag Connection



Top View



Rear View



Side View

If you need further information, a quote or advice for a project, contact us:

✉ info@innoburn.com

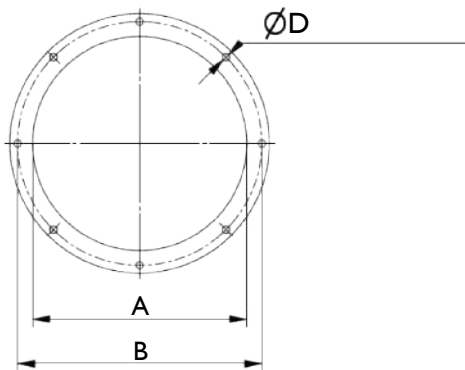
🌐 www.innoburn.com



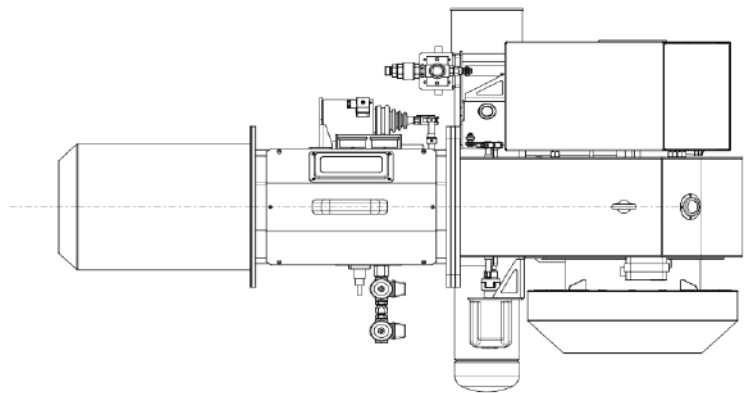
Model	A	B	ØC	ØD	F	L	P	Q	R-(EM)	R-(MC)	V	V*	X**	Z	Z*
	mm	mm	mm	Type×mm	mm	mm	mm	mm	mm	mm	mm	mm	mm	mm	mm
GB-ML 150 N	250	305	240	M12 × 50	198	520	195	730	495	495	1,078	1,368	400	1,478	1,768
GB-ML 200 N	250	305	240	M12 × 50	198	520	195	730	495	495	1,078	1,368	400	1,478	1,768
GB-ML 250 N	250	305	240	M12 × 50	198	520	195	730	495	495	1,078	1,368	400	1,478	1,768
GB-ML 300 N	290	356	276	M12 × 50	193	520	195	730	495	495	1,078	1,368	400	1,478	1,768

*Version with inverter on board the machine

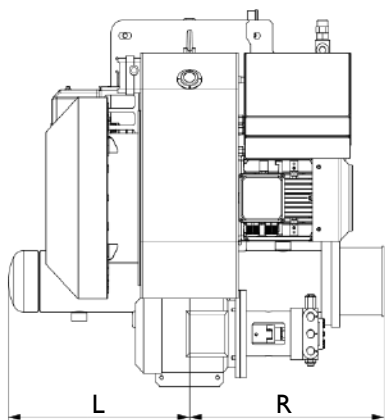
**Standard version. Custom lengths available on request.



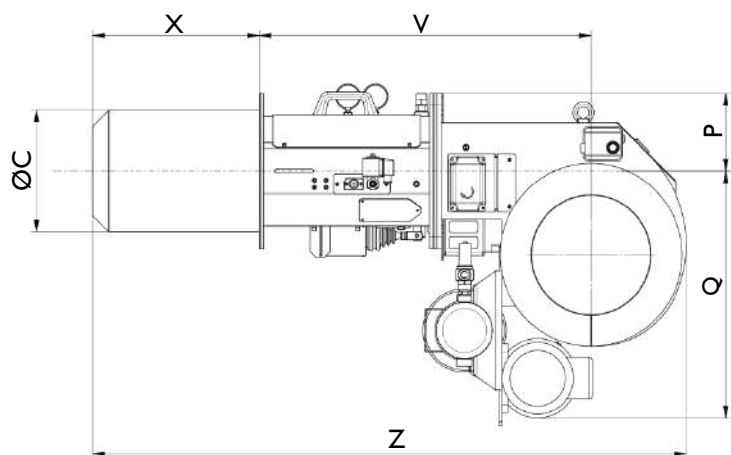
Flag Connection



Top View



Rear View



Side View

If you need further information, a quote or advice for a project, contact us:

✉ info@innoburn.com

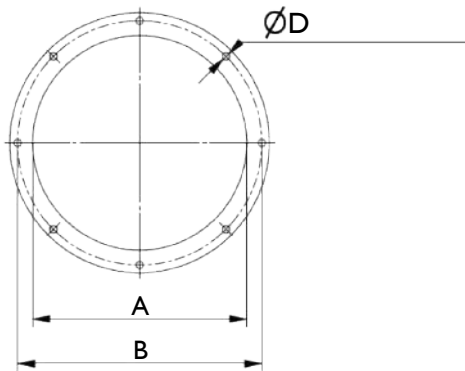
🌐 www.innoburn.com



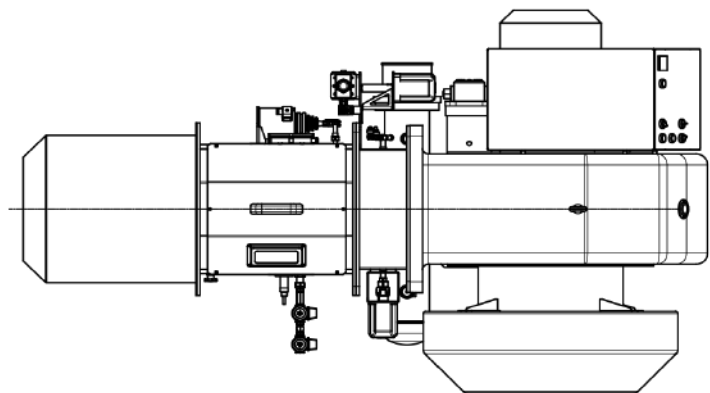
Model	A	B	ØC	ØD	F	L	P	Q	R-(EM)	R-(MC)	V	V*	X**	Z	Z*
	mm	mm	mm	Type×mm	mm	mm	mm	mm	mm	mm	mm	mm	mm	mm	mm
GB-ML 350 N	320	356	306	M12 × 50	193	520	425	820	495	534	1,331	1,640	500	1,831	2,140
GB-ML 450 N	320	396	306	M12 × 50	193	520	425	820	495	534	1,331	1,640	500	1,831	2,140
GB-ML 550 N	370	466	356	M12 × 50	233	520	425	820	495	534	1,354	1,672	500	1,854	2,172
GB-ML 600 N	370	466	356	M12 × 50	233	520	425	820	495	534	1,354	1,672	500	1,854	2,172
GB-ML 800 N	440	536	426	M14 × 50	253	662	461	909	612	612	1,617	1,917	500	2,117	2,417
GB-ML 1000 N	440	536	426	M14 × 50	253	662	461	909	612	612	1,617	1,917	500	2,117	2,417
GB-ML 1300 N	500	602	486	M14 × 50	308	751	477	909	612	612	1,729	2,024	500	2,229	2,524
GB-ML 1500 N	560	662	546	M14 × 50	319	842	521	1,200	662	662	1,721	2,016	500	2,221	2,516
GB-ML 1700 N	560	662	546	M14 × 50	319	842	521	1,200	662	662	1,721	2,026	500	2,221	2,526

* Version with inverter on board the machine

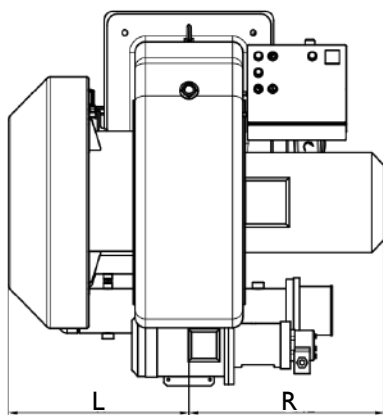
**Standard version. Custom lengths available on request.



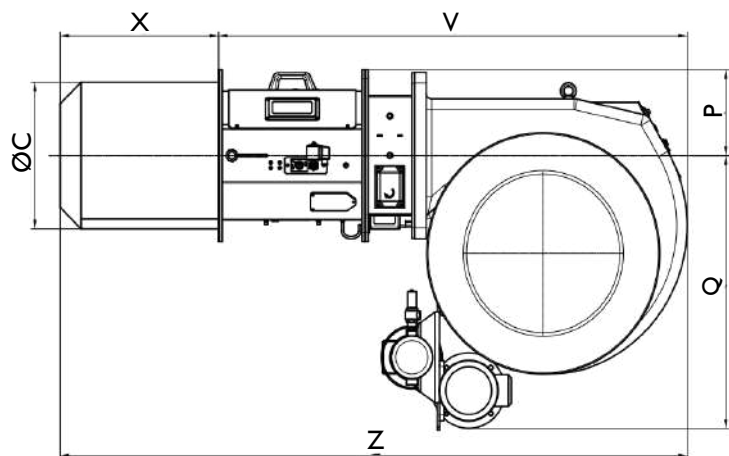
Flag Connection



Top View



Rear View



Side View

If you need further information, a quote or advice for a project, contact us:

✉ info@innoburn.com

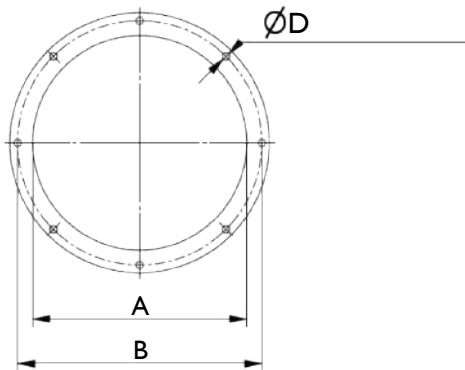
🌐 www.innoburn.com



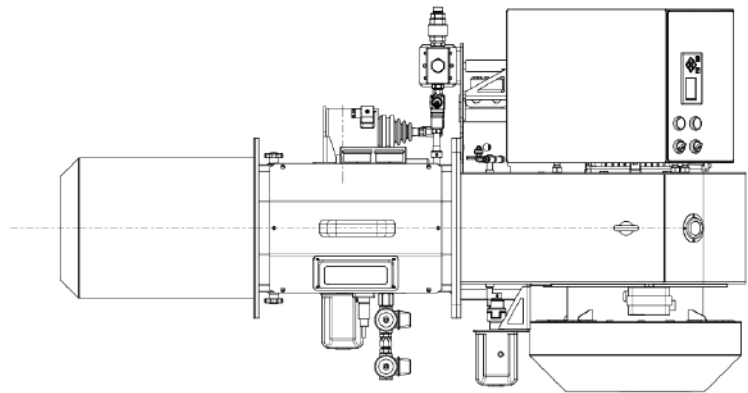
Model	A	B	ØC	ØD	F	L	P	Q	R-(EM)	R-(MC)	V	V*	X**	Z	Z*	E	E	E
	mm	mm	mm	Type×mm	mm	mm	mm	mm	mm	mm	mm	mm	mm	mm	mm	1"1/2	2"	DN 65
GB-ML 150 GD	250	305	240	M12 × 50	198	475	195	610	356	475	1,078	1,368	400	1,478	1,768	295	307	357
GB-ML 200 GD	250	305	240	M12 × 50	198	475	195	610	356	475	1,078	1,368	400	1,478	1,768	295	307	357
GB-ML 250 GD	250	305	240	M12 × 50	198	475	195	610	356	475	1,078	1,368	400	1,478	1,768	295	307	357
GB-ML 300 GD	250	356	276	M12 × 50	193	475	195	610	356	475	1,078	1,368	400	1,478	1,768	312	324	374

* Version with inverter on board the machine

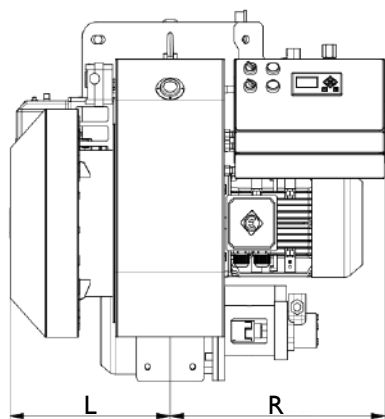
**Standard version. Custom lengths available on request.



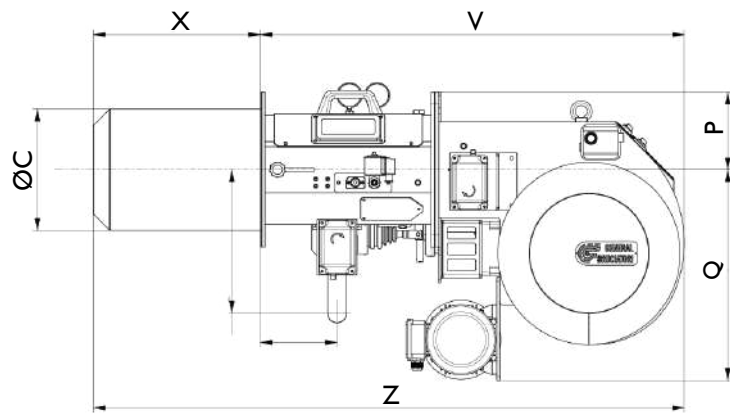
Flag Connection



Top View



Rear View



Side View

If you need further information, a quote or advice for a project, contact us:

✉ info@innoburn.com

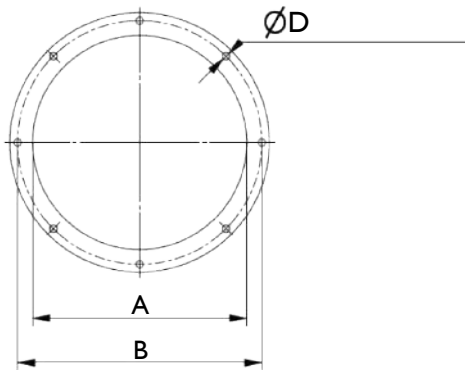
🌐 www.innoburn.com



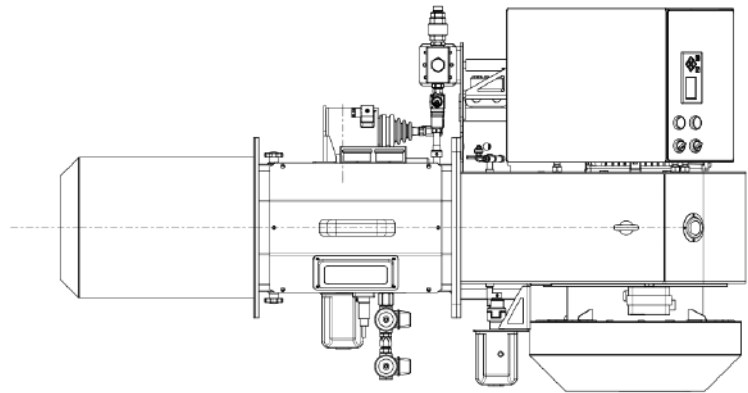
Model	A	B	ØC	ØD	F	L	P	Q	R-(EM)	R-(MC)	V	V*	X**	Z	Z*	E	E	E	E	E
	mm	mm	mm	Type×mm	mm	mm	mm	mm	mm	mm	mm	mm	mm	mm	mm	1"1/2	2"	DN 65	DN 80	DN 100
GB-ML 350 GD	320	356	306	M12 × 50	193	515	425	685	490	534	1,331	1,640	500	1,831	2,140	400	351	391	421	—
GB-ML 450 GD	320	396	306	M12 × 50	193	515	425	685	490	534	1,331	1,640	500	1,831	2,140	400	351	391	421	—
GB-ML 550 GD	370	466	356	M12 × 50	233	515	425	685	490	534	1,354	1,672	500	1,854	2,172	440	391	431	461	461
GB-ML 600 GD	370	466	356	M12 × 50	233	515	425	685	490	534	1,354	1,672	500	1,854	2,172	440	391	431	461	461

* Version with inverter on board the machine

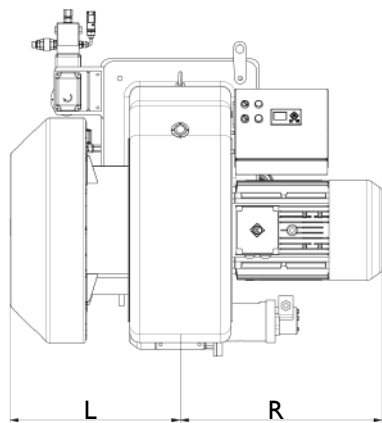
**Standard version. Custom lengths available on request.



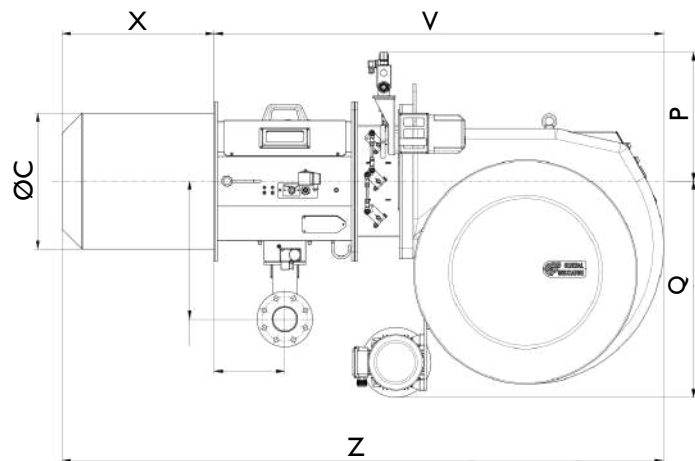
Flag Connection



Top View



Rear View



Side View

If you need further information, a quote or advice for a project, contact us:

✉ info@innoburn.com

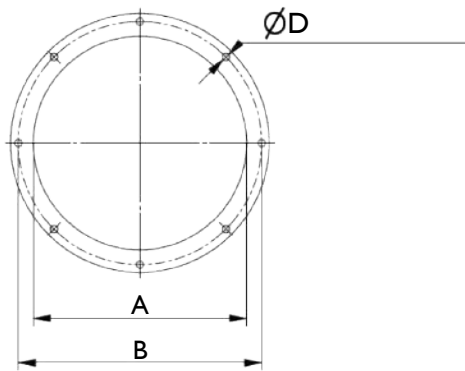
🌐 www.innoburn.com



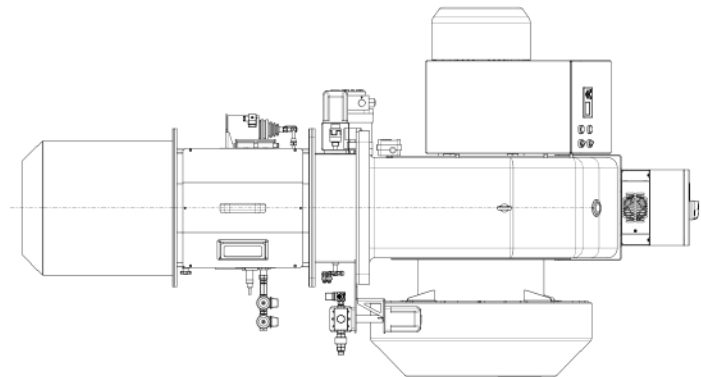
Model	A	B	ØC	ØD	F	L	P	Q	R-(EM)	R-(MC)	V	V*	X**	Z	Z*	E	E	E	E	E	E
	mm	mm	mm	Type×mm	mm	mm	mm	mm	mm	mm	mm	mm	mm	mm	mm	2"	DN 65	DN 80	DN 100	DN 125	DN 150
GB-ML 800 GD	440	536	426	M14 × 50	253	662	461	775	612	612	1,617	1,917	500	2,117	2,417	515	555	496	561	627	—
GB-ML 1000 GD	440	536	426	M14 × 50	253	662	461	775	612	612	1,617	1,917	500	2,117	2,417	515	555	496	561	627	—
GB-ML 1300 GD	500	602	486	M14 × 50	308	751	477	775	612	612	1,729	2,024	500	2,229	2,524	—	605	546	611	677	—
GB-ML 1500 GD	560	662	546	M14 × 50	319	842	521	792	662	662	1,721	2,016	500	2,221	2,516	—	664	664	664	724	794
GB-ML 1700 GD	560	662	546	M14 × 50	319	842	521	792	662	662	1,721	2,026	500	2,221	2,526	—	664	664	664	724	794

* Version with inverter on board the machine

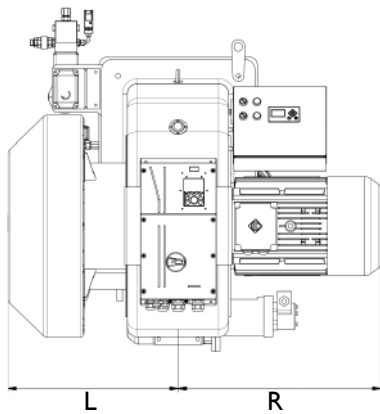
**Standard version. Custom lengths available on request.



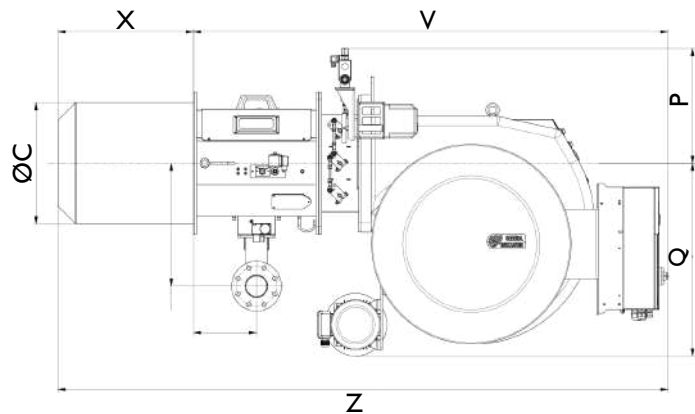
Flag Connection



Top View



Rear View



Side View

If you need further information, a quote or advice for a project, contact us:

✉ info@innoburn.com

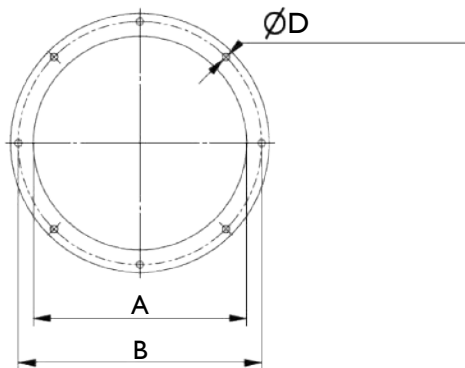
🌐 www.innoburn.com

InnoBurn
Customized Combustion Solutions

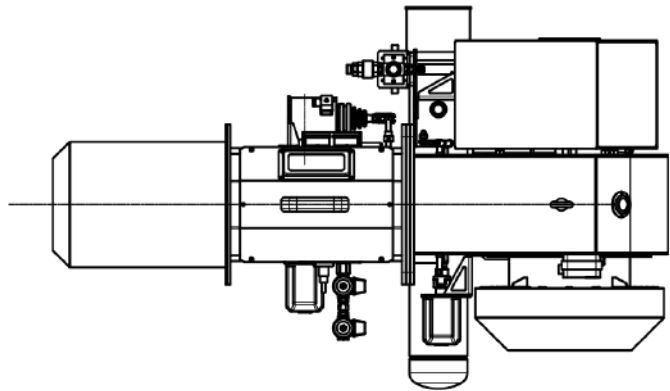
Model	A	B	ØC	ØD	F	L	P	Q	R-(EM)	R-(MC)	V	V*	X**	Z	Z*	E	E	E
	mm	mm	mm	Type×mm	mm	mm	mm	mm	mm	mm	mm	mm	mm	mm	mm	1"1/2	2"	DN 65
GB-ML 150 GN	250	305	240	M12 × 50	198	520	195	730	495	495	1,078	1,368	400	1,478	1,768	295	307	357
GB-ML 200 GN	250	305	240	M12 × 50	198	520	195	730	495	495	1,078	1,368	400	1,478	1,768	295	307	357
GB-ML 250 GN	250	305	240	M12 × 50	198	520	195	730	495	495	1,078	1,368	400	1,478	1,768	295	307	357
GB-ML 300 GN	250	356	276	M12 × 50	193	520	195	730	495	495	1,078	1,368	400	1,478	1,768	312	324	374

* Version with inverter on board the machine

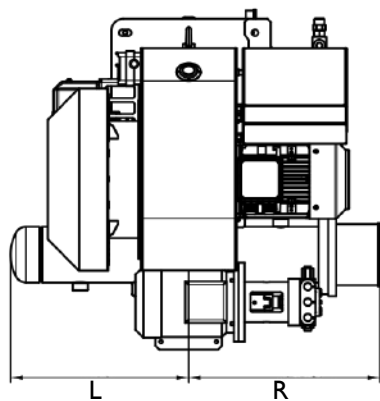
**Standard version. Custom lengths available on request.



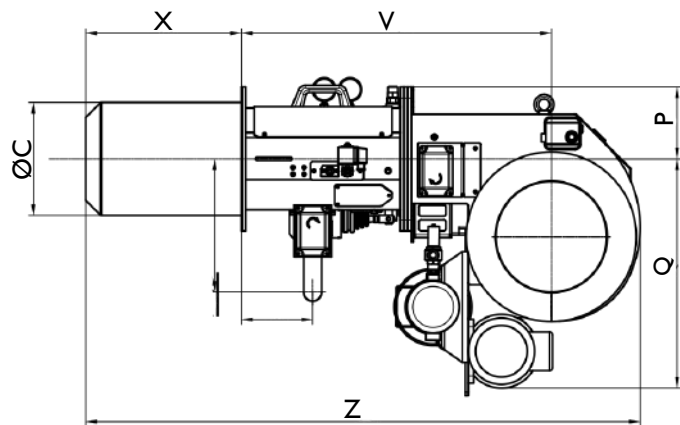
Flag Connection



Top View



Rear View



Side View

If you need further information, a quote or advice for a project, contact us:

✉ info@innoburn.com

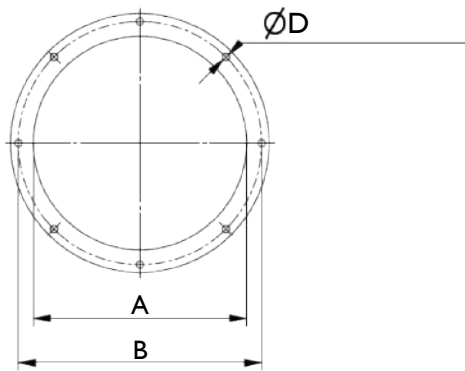
🌐 www.innoburn.com



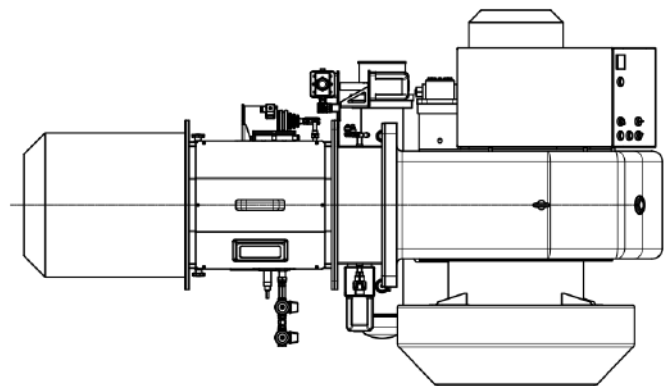
Model	A	B	ØC	ØD	F	L	P	Q	R-(EM)	R-(MC)	V	V*	X**	Z	Z*	E	E	E	E	E	E	E
	mm	mm	mm	Type×mm	mm	mm	mm	mm	mm	mm	mm	mm	mm	mm	mm	1"1/2	2"	DN 65	DN 80	DN 100	DN 125	DN 150
GB-ML 350 GN	320	356	306	M12 × 50	193	520	425	820	495	534	1,331	1,640	500	1,831	2,140	400	351	391	421	—	—	—
GB-ML 450 GN	320	396	306	M12 × 50	193	520	425	820	495	534	1,331	1,640	500	1,831	2,140	400	351	391	421	—	—	—
GB-ML 550 GN	370	466	356	M12 × 50	233	520	425	820	495	534	1,354	1,672	500	1,854	2,172	440	391	431	461	461	—	—
GB-ML 600 GN	370	466	356	M12 × 50	233	520	425	820	495	534	1,354	1,672	500	1,854	2,172	440	391	431	461	461	—	—
GB-ML 800 GN	440	536	426	M14 × 50	253	662	461	909	612	612	1,617	1,917	500	2,117	2,417	—	515	555	496	561	627	—
GB-ML 1000 GN	440	536	426	M14 × 50	253	662	461	909	612	612	1,617	1,917	500	2,117	2,417	—	515	555	496	561	627	—
GB-ML 1300 GN	500	602	486	M14 × 50	308	751	477	909	612	612	1,729	2,024	500	2,229	2,524	—	—	605	546	611	677	—
GB-ML 1500 GN	560	662	546	M14 × 50	319	842	521	1,200	662	662	1,721	2,016	500	2,221	2,516	—	—	664	664	664	724	794
GB-ML 1700 GN	560	662	546	M14 × 50	319	842	521	1,200	662	662	1,721	2,026	500	2,221	2,526	—	—	664	664	664	724	794

* Version with inverter on board the machine

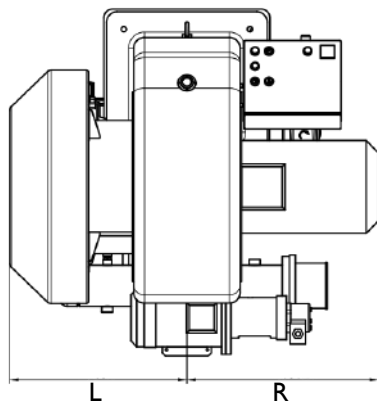
**Standard version. Custom lengths available on request.



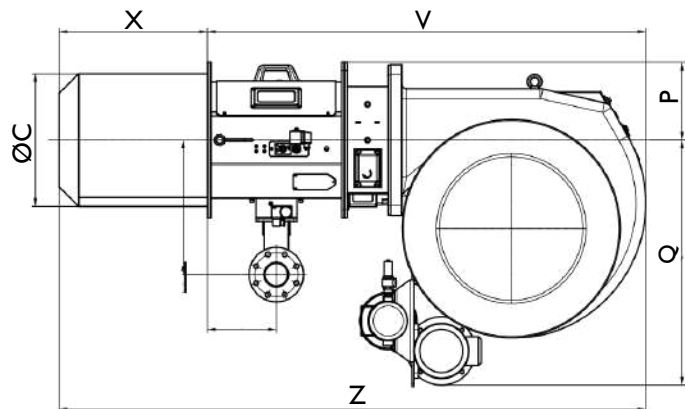
Flag Connection



Top View



Rear View



Side View

If you need further information, a quote or advice for a project, contact us:

✉ info@innoburn.com

🌐 www.innoburn.com

